

SECURE VoIP Gateway

Venus 2908 Series

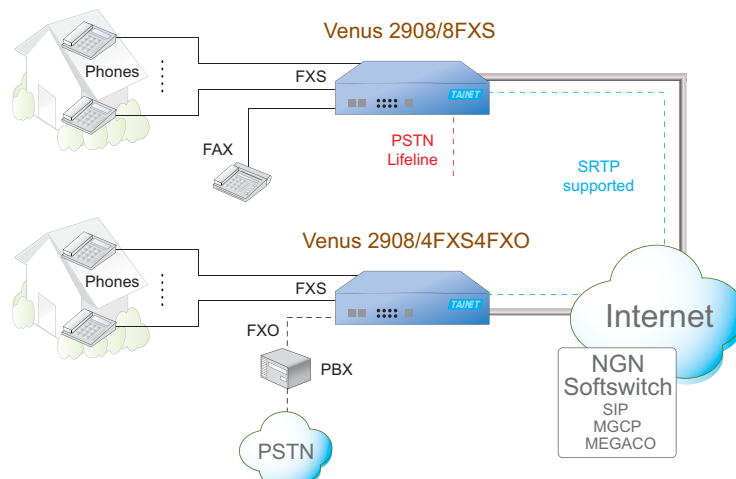


- Selectable in SIP, MGCP* & MEGACO* protocol
- 8FXS or 4FXS+4FXO model available
- SRTP advanced security features
- Auto Provision feature with encryption
- Interactive Voice Response (IVR)
- Ethernet switch function with QoS and VLAN
- Line reversal and metering tone (16KHz)
- Long reach up to 5 Km
- T.30 and T.38 (Fax over IP) compliant
- PSTN Lifeline
- Advanced calling features, 3-Way Conference with/without media server, call parking and more
- SNMP and TR-069 supported

The brand new Venus 2908 Series analog VoIP gateways are feature-rich and cost-effective products designated for telecom operators to provide telephony services with security-enhanced capabilities in the modern complex networks.

The Venus 2908 Series VoIP Gateway empowers service providers delivering carrier-class IP Centrex service over a Total-IP NGN infrastructure in a more secured way. With SRTP (Secured Real-Time Protocol) and HTTPS-enabled features, the voice transmission is secured with better protection against the interferences on the Internet.

The Venus gateway provides a connection platform between traditional POTS lines and the Internet. Over various broadband technologies including xDSL, HFC, wireless and fiber, the Venus 2908 carries toll quality voice, fax and data traffic simultaneously in a cost-effective way. Additionally, the Venus 2908 supports intelligent features like long loop, polarity reversal, caller ID, call transfer, call waiting and 3-way calling. The ideal applications include MTU/MDU, virtual PBX, IP Centrex and hosted telephony services.



Headquarters

No. 25, Alley 15, Lane 120, Sec. 1.
Nei-Hu Rd., 114 Taipei, Taiwan

TEL: 886-2-2658-3000

FAX: 886-2-2658-3232

E-mail: sales@tainet.net

Call control protocol

- SIP (RFC-3261), MGCP 1.0/0.1/NCS1.0*, MEGACO (H.248)*
- Real-time Control Protocol (RFC-1889) & RTCP
- 3GPP SIP*

Voice Feature

- G.711(a/u law), G.723.1, G.726, G.729 a/b
- Voice Activity Detection (VAD)
- Silence Suppression
- Confirm Noise Generation (CNG)
- Adaptive Jitter Buffer
- Echo Cancellation (ITU G.165&G.168) Packet Loss Compensation
- Adjustable Gain Control
- RTP filter

Analog Voice Port

- Telephone Interface: RJ-11
- In-Band DTMF, Out of Band DTMF Relay (RFC-2833)
- Pulse or DTMF dialing
- CLID: FSK-Bellcore 101/102, FSK-ETSI, DTMF, Blocking, Calling Name & Data, POTS CLID Detection
- DTMF Tone Detection & Generation
- Modem Relay
- Priority Reversal Detection (FXO) & Priority Reversal Generation (FXS)
- PSTN Cadence Auto Detection
- Metering Signaling Generation for Coin Phone(FXS)*

Calling Features & Management

- Call Hold, Waiting, Transfer, Forward, Return & Park
- 3-Way Conference w/wo Media Server
- Configurable FLASH-HOOK Timing
- DID (Direct Inward Dialing in FXO)
- Internal Phone Book (SIP)
- Hot/Warm Line
- Deny Second Stage Dialing (FXO)
- E.164 supported
- Interactive Voice Response (IVR)
- Ring Priority (Hunting, Simultaneous, Sequential)
- Call Interception
- Outbound Proxy Support
- Wildcard Register (By Group) / Line Register (By Port)
- Softswitch Backup Mechanism Support
- Speed Dial*
- Advanced Digit-Map*
- Manipulation Dialing*
- Video Message Waiting Indication (VMWI)*
- Inner Dialing support (MGCP/MEGACO)*
- Max. Concurrent Call Limitation: Summary/Incoming/Outgoing*

"*" future available

Data Features

- WAN: Static IP, PPPoE, DHCP/BootP Client
- LAN: Bridge / Router
- Static Routing Table
- NAT Pass Through, STUN, uPnP*
- Static NAT/NAPT Mapping
- DHCP Server
- DNS/DDNS

Security

- SIP Authentication: MD5
- Media: Security RTP
- WEB interface: HTTPS
- DoS prevention
- MGCP authentication: DH Key Agreement* & MD5 Encryption*
- Control: TLS*, SIPS*, IPSec*

QoS

- Port-Based VLAN/ 802.1Q VLAN-tagging
- DSCP/IP Precedence
- Guarantee VoIP Bandwidth

System Management & Maintenance

- Console, Telnet, WEB (HTTP/HTTPS)
- Configuration Backup with Encryption
- Remote Firmware Upgrade (HTTP/TFTP/HTTPS)
- SNMP v1/v2
- Auto Provision (HTTP/TFTP)
- TR-069
- System Log* / Call Log*
- UPnP service*

Safety Certification

- CE
- FCC part 15 class A
- FCC part 68, UL.

Power

- Power AC/DC power adaptor

Operating Environment

- Operational: 0°C ~ 50°C
- Storage: -10°C ~ 70°C
- Humidity: 10% ~ 90% (non-condensing)

