

Comet 1602F
Comet 1604F
Comet 1608F

Comet 1600F Series

EFM/ATM G.SHDSL.bis Modem



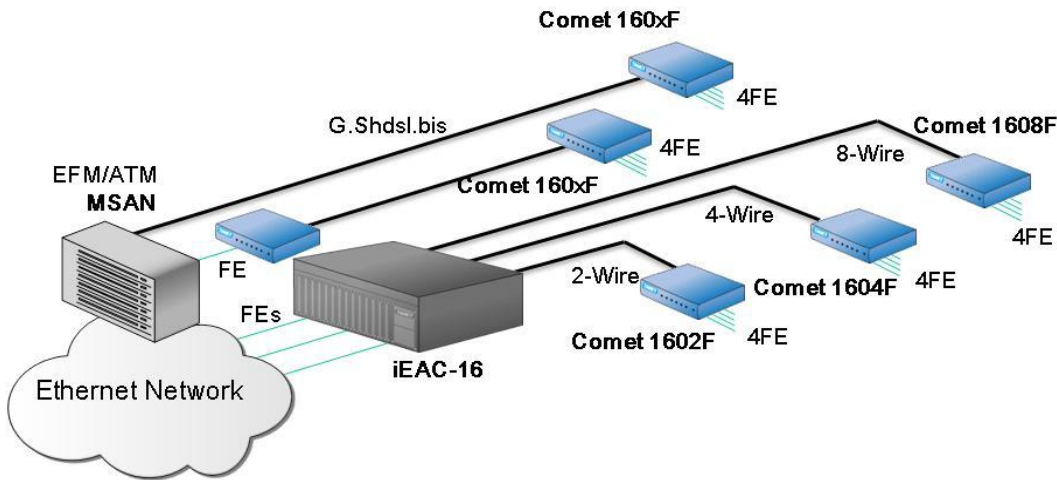
- Point to point Ethernet extender over multiple copper wires
- EFM mode complies with ITU-T G.991.2 standard, TC-PAM 4/8/16/32/64/128 line coding and IEEE 802.3ah 2Base-TL bonding.
- ATM mode complies with RFC 1483 and RFC 2684 Multiprotocol over AAL5 bridged mode.
- 1, 2 or 4 pairs G.SHDSL.bis with 5.7Mbps per pair
- Supports extension rate up to 60Mbps over 4 pairs of copper
- CO and CPE mode configurable
- Automatic line rate selection uses Line Probe function
- Front panel LED indicators for ease of status monitoring
- Easy installation by DIP-Switches, Console, Telnet (SSH), WEB GUI(HTTPS), SNMP (v1/v2c/v3) or TR-069
- Remote software upgrade for field-deployed units via TFTP or HTTP/HTTPS
- Ethernet switching and bridging with VLAN prioritization and QoS
- Router function supports NAT/PAT, DNS relay, DHCP client/ server/ relay, RIP1/RIP2 and Static route.
- Support security-link feature and DSL line protection for data transmission

TAINET's Comet 160xF EFM/ATM series is the so called Ethernet Access Devices (EAD), Ethernet Media Data Converter (MDC) or Ethernet DSL Bridge/ Router/ Modem, which takes advantage of the latest G.SHDSL.bis standard. This mini-terminal enables the transport of traffic from Ethernet interface with speed of 15M/30/60 Mbps over EFM bonded 2/4/8 wires G.SHDSL.bis link.

Comet 160xF EFM/ATM series supports high-speed dedicated symmetrical data transmission and utilizes DSL bandwidth. The automatic line rate adjusting can be up to 15Mbps over 2-wire copper line symmetrically. Comet 1602F/1604F/1608F series typically works as an Ethernet extender, with up to 8 wires that could enhance the line rate and provide aggregated bandwidth up to 60Mbps. Furthermore, Comet 160xF EFM/ATM series is fully compatible with TAINET iEAC-16, the intelligent Ethernet access chassis. This combination is designed to work as a central office especially for long distance Ethernet Access Service. It covers the ADSL/VDSL's disadvantages of distance limitation by offering multi-pair bonding services.

Comet 160xF EFM/ATM series is an ideal solution for Telecom Carriers, Service Providers and business users. In order to reduce operation/management burden, based on ITU-T recommendation G.991.2 standards, Comet 160xF EFM/ATM series can control and monitors its remote units via the Embedded Operation Channel (EOC). Administrators of Comet 160xF EFM/ATM series are entitled to configure the modems through DIP-Switch, Console, Telnet (SSH), Web(HTTP/HTTPS), TR-069 or SNMP v1/v2c/v3 agent with ease.





Model

- Comet 1602F, 2-wire, 4 Ethernet ports
- Comet 1604F, 4-wire, 4 Ethernet ports
- Comet 1608F, 8-wire, 4 Ethernet ports

Line Interface: G.SHDSL.bis

- Type: 2, 4 or 8-wire
- EFM Standard: ITU-T G.991.2, ETSI 101 524
- Bonding protocol: IEEE 802.3ah EFM 2Base-TL
- ATM Standard: RFC 1483/2684 Multiprotocol over AAL5 bridged and RFC 1577 IP over ATM
- Line rate: $n \times 64\text{Kbps}$, $n=3\sim 239$ (2w), 6~478 (4w), 12~956(8w)
- Connector: 1 x RJ-45
- Line coding: TC-PAM 16/32/64/128
- Impedance: 135 Ω

DTE Interface: Ethernet

- Ethernet type: 10/100BaseT
- Connector: 4 x RJ-45
- Auto-MDI/MDIX detection, Full/half duplex support
- Auto-negotiation for speed and duplex
- Support Layer 2 function
- IPv4/IPv6 supports

Ethernet Networking function

- Supports 802.1d transparent bridge function
- Supports Bridge filter function based on source MAC addresses
- Scalable per port bandwidth control (Step = 64K, up to 100M)
- Supports 802.3x flow control
- 2K MAC learning address
- Ethernet packet length 9K Jumbo frame for LAN and up to 2048 bytes for WAN
- Provides 802.1q VLAN tagging, up to 4094 VLAN and VID
- Supports 802.1p QoS facility
- ITU-T G.8032 Ethernet Ring Protection switching (ERPS)
- Support SNTP protocol to get network time
- DHCP Client/ Server/ Relay
- Static Route and RIP1/ RIP2 dynamic routing
- Point to Point over Ethernet (PPPoE) protocol support
- Network and Port Address Translation (NAT & NAPT)
- Virtual IP for different VLAN (LAN supports dual IP)
- Firewall Anti-DDOS attack & ACL security protection

Management

- Configuration via DIP switches, Telnet (SSH), WEB GUI (HTTP/HTTPS), SNMP v1/v2c/v3 and TR-069**
- Console: DB9 connector (RS232C)
- Local and Remote status for diagnostic
- Supports Performance Monitoring function (PM)
- Firmware upgradeable via Web or TFTP
- Front panel test button for easy loop healthy testing
- Front panel reset to default button
- Support three access levels for administrator, operator, user and operation log
- Support login password complexity of 6 characters, uppercase and lowercase letters, digits, special symbols
- Anti camouflage attack mechanism: lock IP and delay login
- Dying Gasp function indicates the CPE mode lost power

LED Indicators

- PWR, TST, ALM, CPE, DSL1~4, LAN1~4
- Dual color LED for easy status monitoring

Power Requirement

- 100~240V AC to 12VDC adapter (Comet 160xF)
- DC 48V (Comet 160xF/DC48)
- Power consumption: 7W

Certification

- ISO 9001 Quality Management
- China CCC Quality Certification
- CE Approval, EN 55022, 55024, 61000-3-2, 61000-3-3
- CE LVD Safety, IEC-60950-1, EN 60950-1
- ITU-T K.21 Compliant

Dimension

- 200(W) x 150(D) x 39(H) mm

Operating Environment

- Operation Temperature: 0 $^{\circ}\text{C}$ ~ 50 $^{\circ}\text{C}$
- Storage Temperature: -20 $^{\circ}\text{C}$ ~ 75 $^{\circ}\text{C}$
- Humidity: 90%, non-condensing

Note:

** Features and specifications are subject to change without prior notice